



ADVIKA
fenster
ENHANCE YOUR VIEW



uPVC WINDOW & DOOR PROFILE





**MORE
THAN
A
WINDOW...**



ABOUT US

WELCOME TO advika profiles pvt ltd

Advika Group was established in 2017 in Lucknow, Uttar Pradesh with a prime focus on providing quality uPVC Windows & Doors in North Indian market. Later, in 2018, company marked it's presence in Bengaluru, Karnataka. Now with the vision of further enchancing the quality, company entered into manufacturing of uPVC Profiles in 2020 with the brand name Advika Fenster having it's OEM in Rajasthan. With the present-production capacity, company is strong enough to cater Indian as well as other Asian Market.

“Advika Fenster”-uPVC Profiles has extra Titanium Di-Oxide to protect the uPVC windows from UV Rays, making it UV Resistant. The Lead free formula makes it even more suitable for uses in homes, hospitals, schools and residential & commercial buildings.

A-60 CASEMENT SERIES

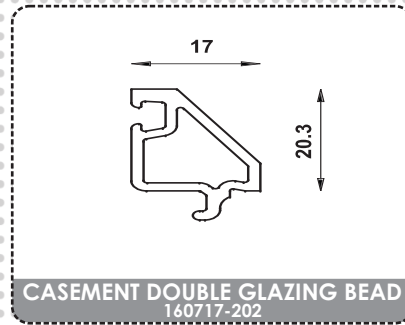
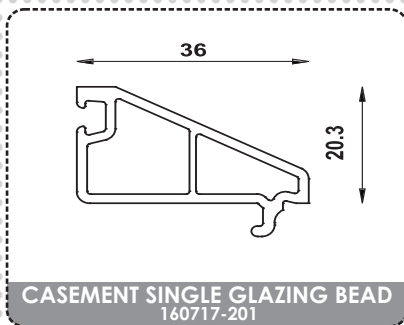
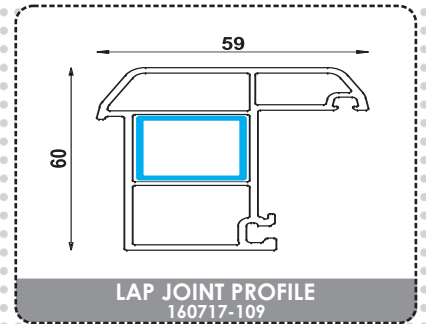
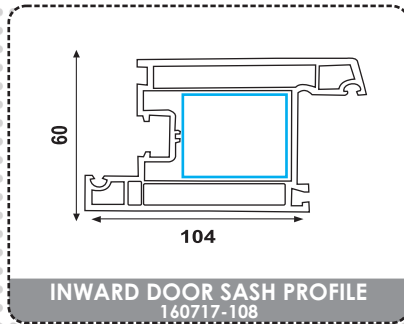
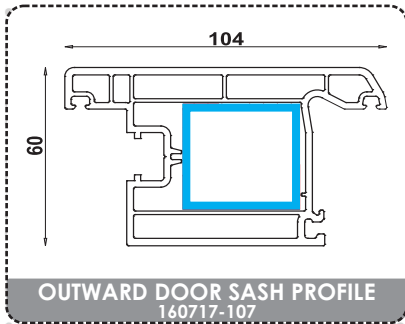
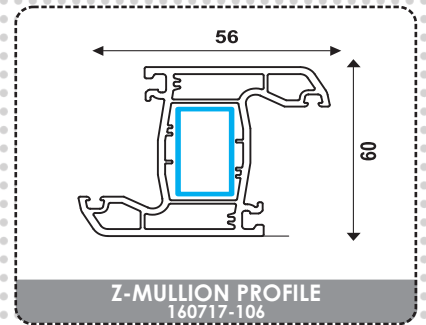
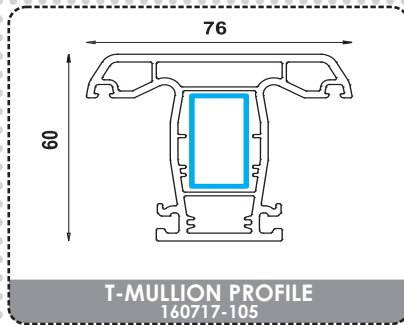
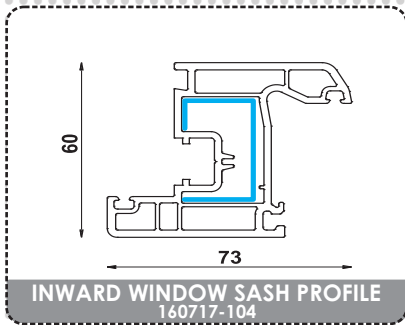
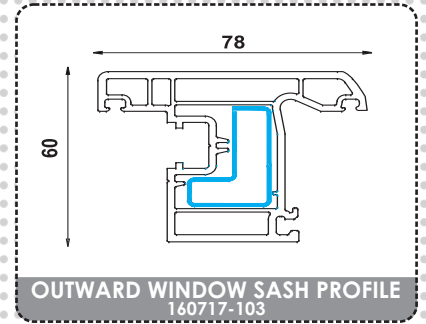
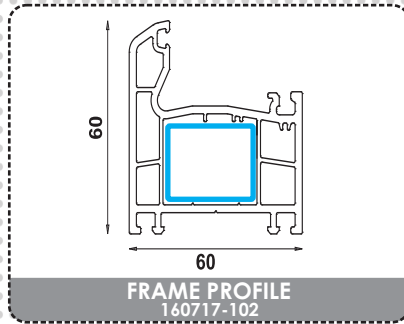
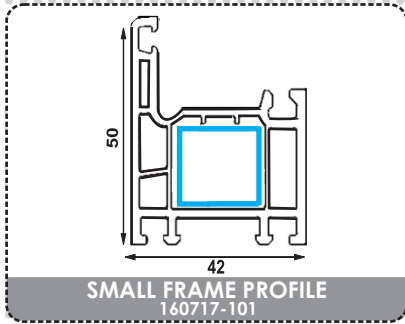
CERTIFIED BY THE

uPVC EXPERTS !

Advika fenster profiles have been tested for its physical and lead-free properties. They confirm to the quality standards approved by the major accreditation councils like ISO, RoHS, etc.



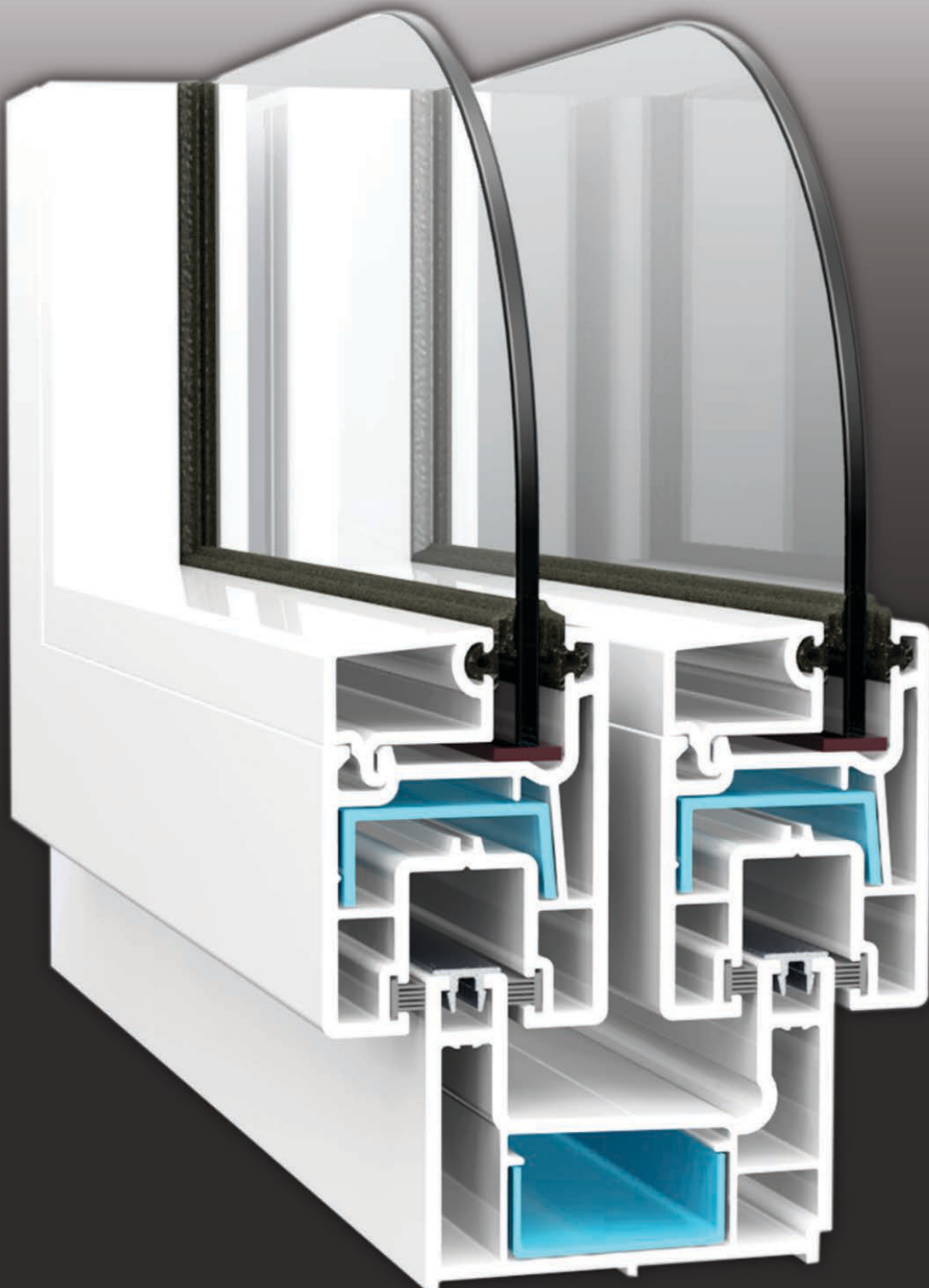
PROFILES



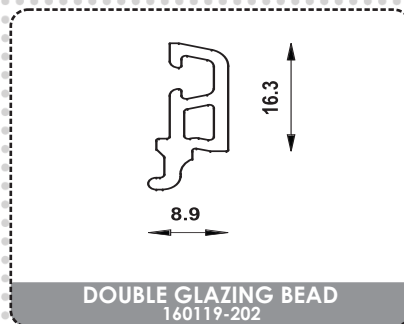
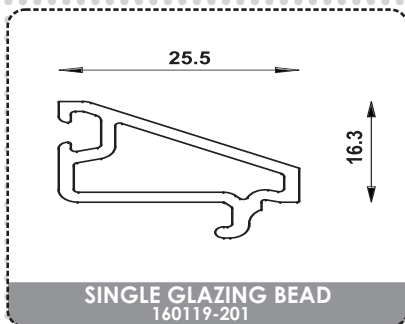
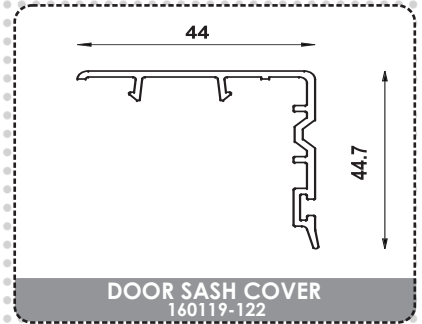
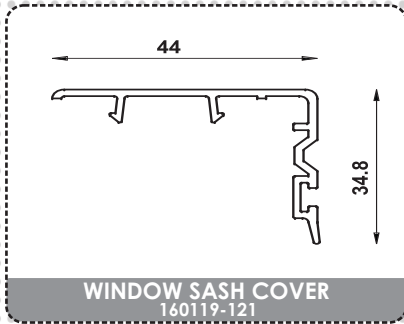
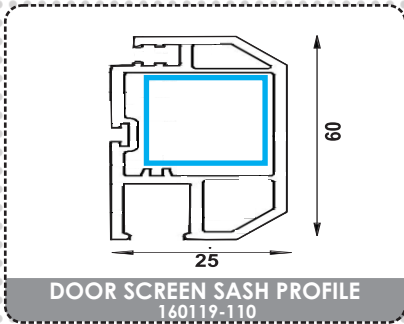
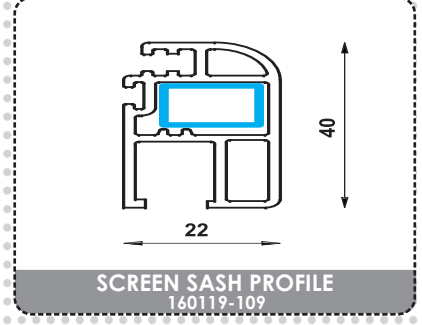
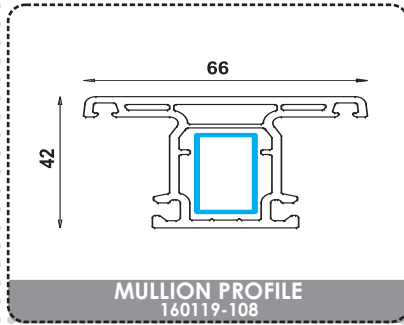
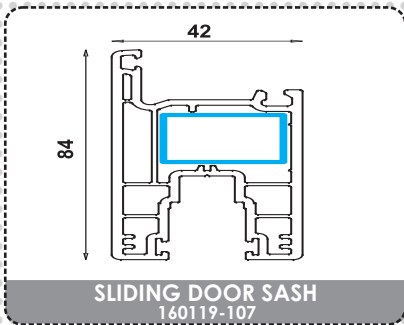
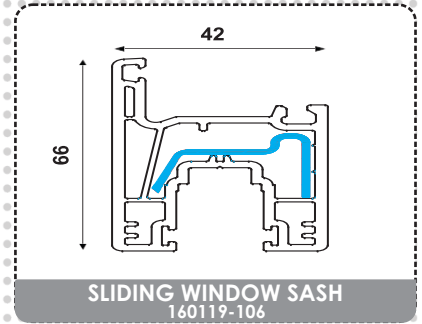
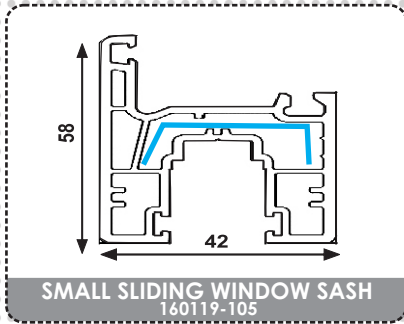
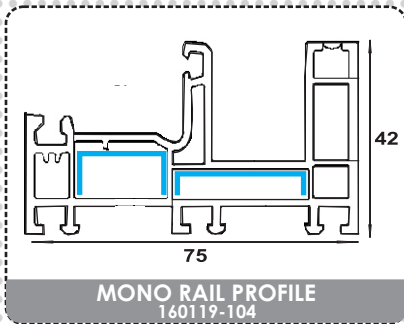
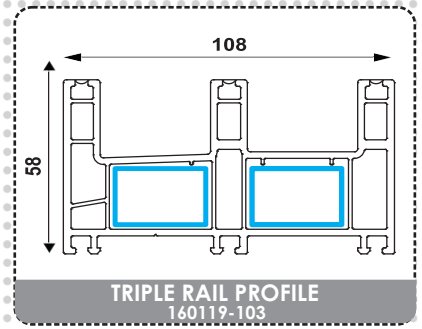
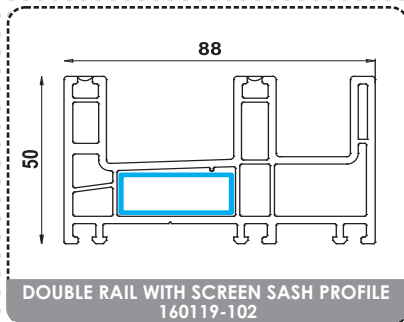
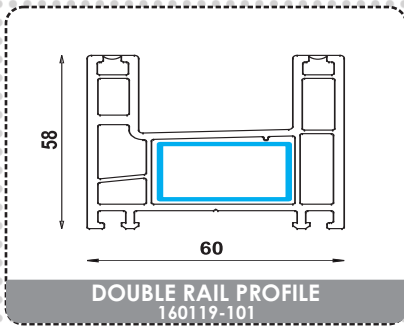
A-60 SLIDING SERIES

QUALITY YOU CAN BELIEVE ON

Advika profiles being lead free and having extra Titanium Di-oxide are more UV resistant than ordinary uPVC profiles.



PROFILES



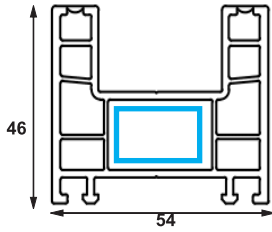
A-54 SLIDING SERIES

SERVICES YOU CAN RELY ON

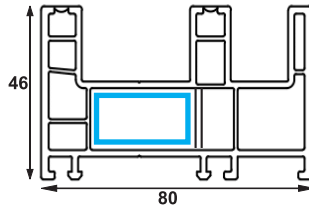
With highly experienced and skilled team, we are committed to provide quality service.



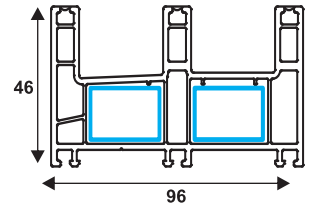
PROFILES



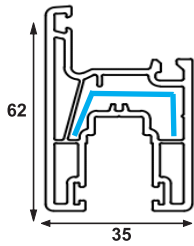
DOUBLE RAIL PROFILE
250420-101



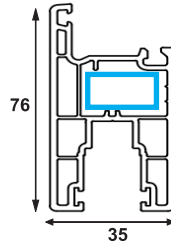
DOUBLE RAIL WITH SCREEN SASH
250420-102



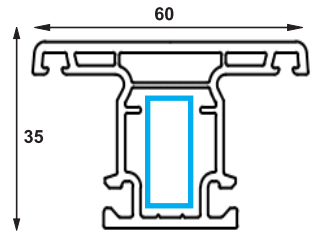
TRIPLE RAIL PROFILE
250420-103



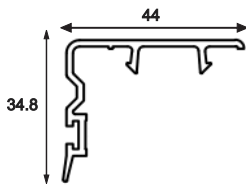
SLIDING WINDOW SASH
250420-104



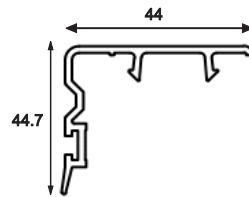
SLIDING DOOR SASH
250420-105



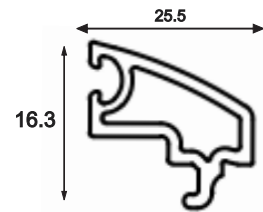
MULLION PROFILE
250420-106



WINDOW SASH COVER
250420-121

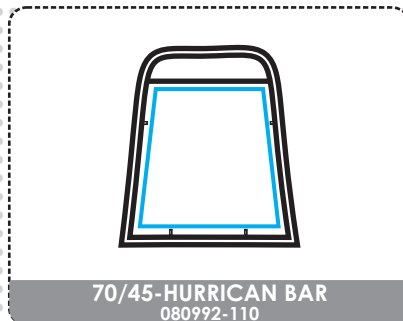
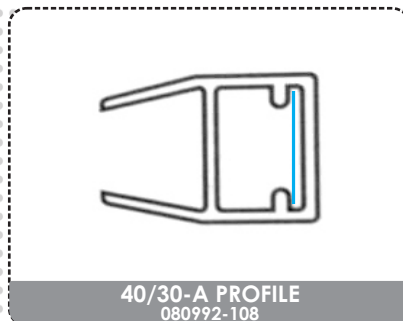
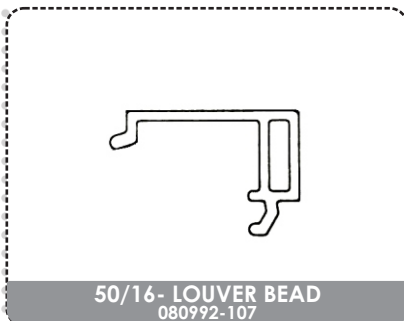
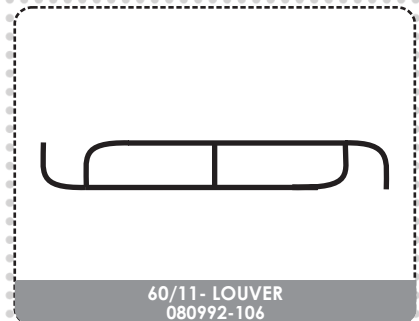
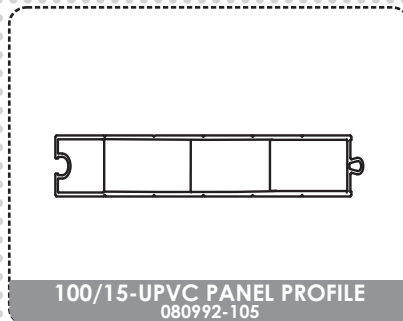
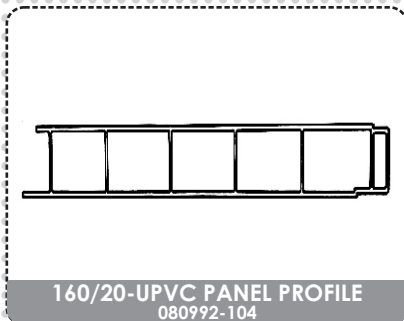
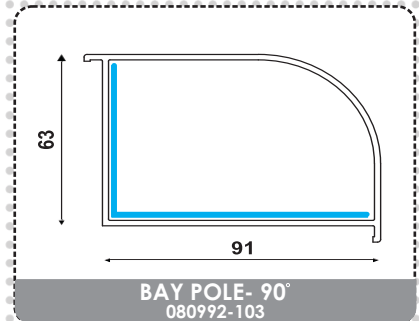
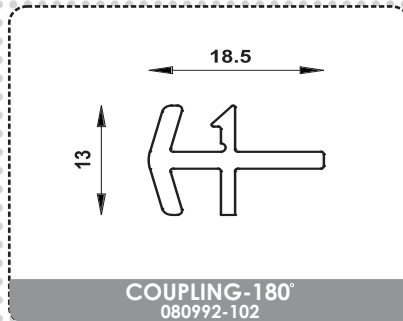
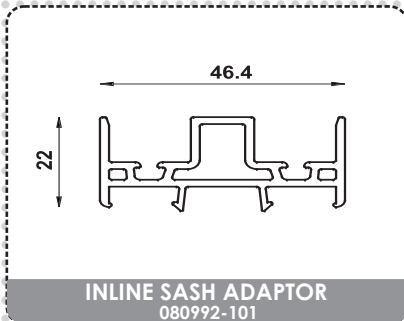


DOOR SASH COVER
250420-122

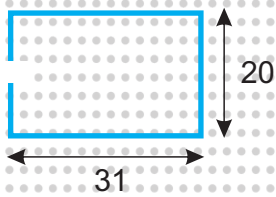


SINGLE GLAZING BEAD
250420-201

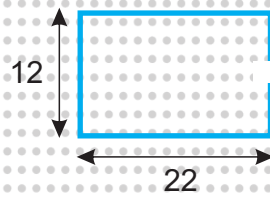
AUXILIARY PROFILE



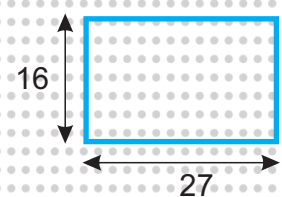
REINFORCEMENT SIZES



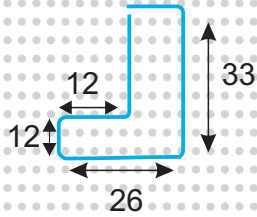
160717-102/107
160119-101/103



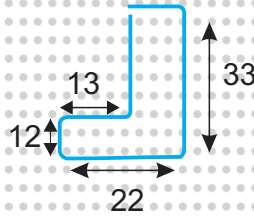
250420-101/102/103/105/106



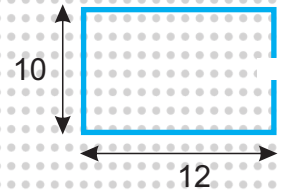
160717-108
160119-110/108



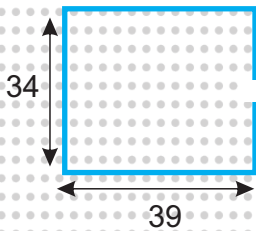
160717-103



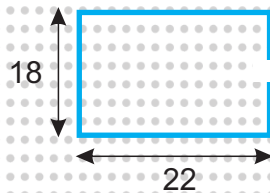
160717-104



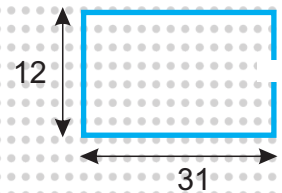
160119-109



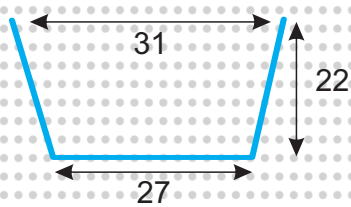
160717-105/106



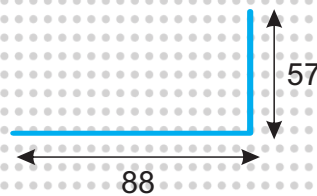
160717-101/109



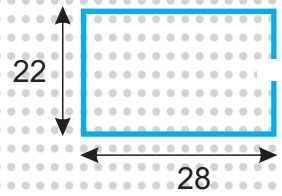
160119-102



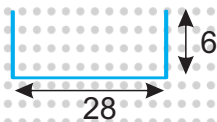
160119-106



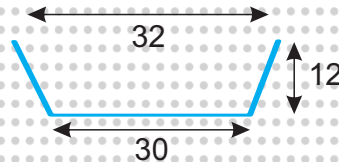
080992-103



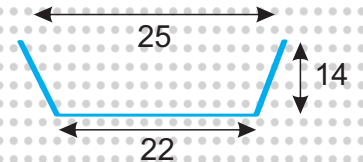
160119-107



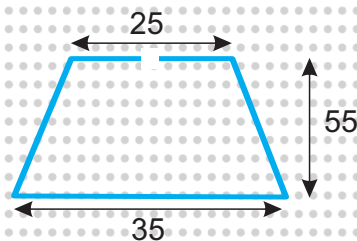
160119-104



160119-105



250420-104

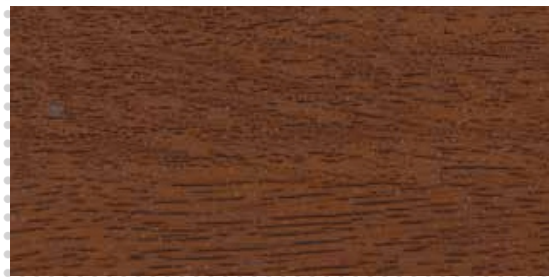


080992-110

RANGE OF WOODEN FINISH uPVC PROFILE



GOLDEN OAK



WALNUT



RUSTIC OAK

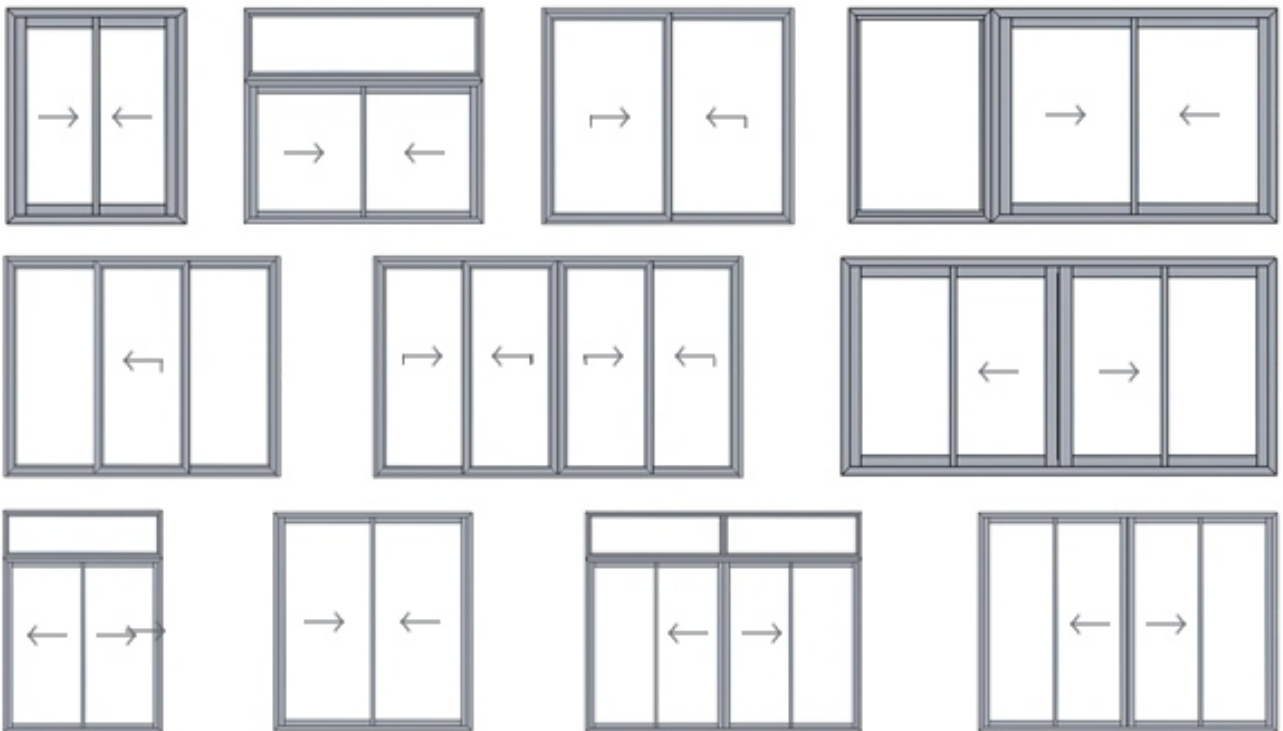


DARK OAK

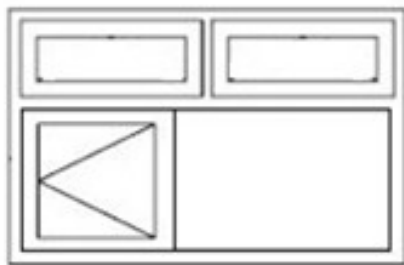
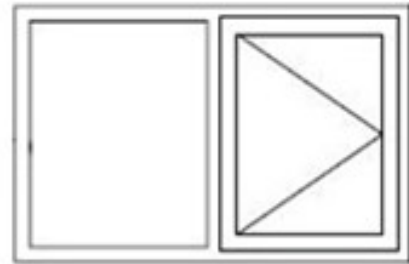
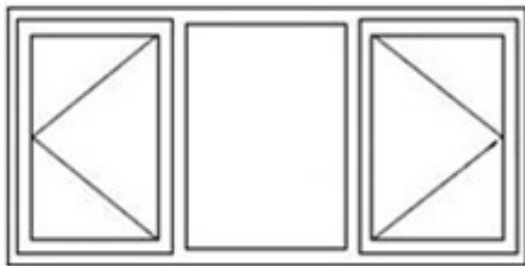
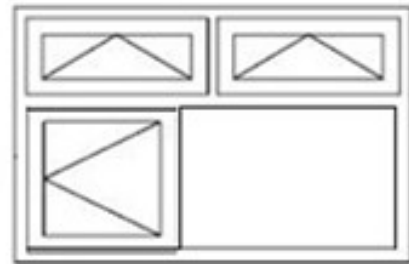
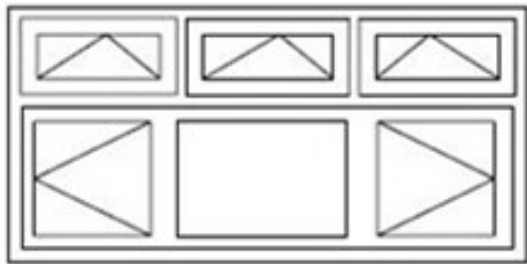
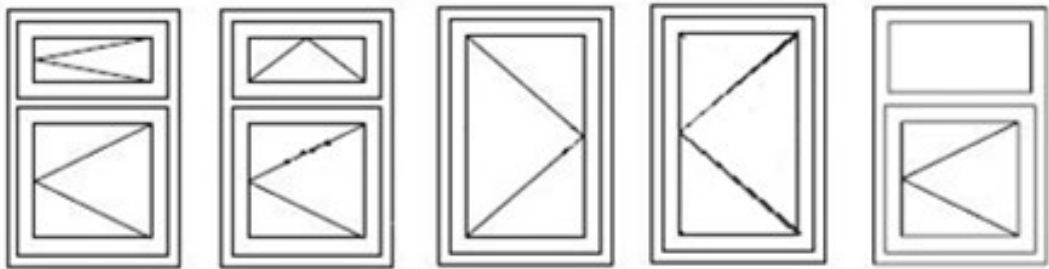


MAHOGANY

SLIDING WINDOWS



CASEMENT WINDOWS





• Certificates •





ADVIKA PROFILES PVT. LTD.

Corporate Office:

4/1077, First Floor, Vikas Nagar, Lucknow 226022

Reg. Office:

6/157, Vikas Nagar, Lucknow 226022

☎ 0522 - 4027905 / +91-7388606636 | ✉ enquiries@advikagroup.in